

Installation Instructions

For Adding a ButtKicker® Unit to a Berkline Chair

ButtKicker®

Feel what you've been missing

NOTE

Before attempting any type of mechanical or electrical assembly, please read these instructions carefully. Make sure all the necessary parts are on hand and that proper tools are used.

Before beginning, please make sure you have all the following:

- One Wooden Mounting Plate
- Speaker Wire Terminal Board
(Speaker wire leads pre-soldered to board)
- 12 Hex Bolts (8 - 3/4", 4 - 1 1/4")
- 6 Washers
- 4 Locking Hex Nuts
- 2 - 1/2" Self Taping Wood Screws
- New Frame Cross Member
- Adjustable Wrench (Not included)
- One Screw Driver (Not included)
- Small Ratchet with 5/16" Socket
(Not included)
- ButtKicker LFE (Sold separately)
- ButtKicker Home Theater
Seating Electronics Package
(Sold separately)

PLEASE DO NOT CONTACT THE STORE WHERE YOU PURCHASED THIS PRODUCT FOR SUPPORT. INSTEAD, PLEASE CONTACT:

The Guitammer Company Inc.

1-888-676-2828, 8:30 am - 5:30 pm EST Monday - Friday

Email us at: support@guitammer.com

Visit us online at: www.thebuttkicker.com

Attaching the ButtKicker Unit to the Mounting Plate

1. Align the holes in the (4) feet of the ButtKicker unit to the predrilled holes on the Wooden Mounting Plate. (Refer to Diagram A on next page)

Note: The holes will line up 2 different ways. Mount the unit so the Speaker Terminals are toward the back of the Wooden Mounting Plate (Back of the chair).

2. Starting from the bottom of the Wooden Mounting Plate, insert (4) 1 1/4" hex head bolts with washers through the (4) pre-drilled holes and then the feet of the ButtKicker unit. Secure with Locking Hex Nut on each of the four bolts. (Refer to Diagram A on next page)

Note: Tighten snugly, but do not over tighten.

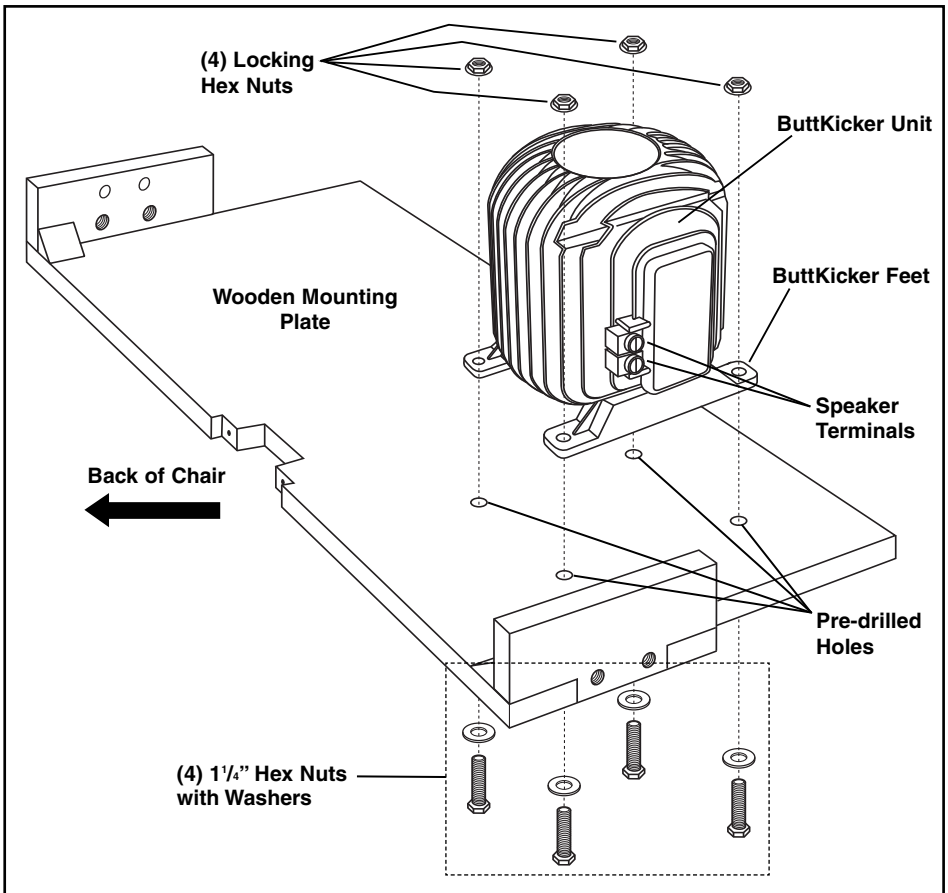


Diagram A

Attach the Speaker Wire Terminal Board to the Wooden Mounting Plate

- 1.** Align the Speaker Wire Terminal Board to the notch in the rear of the Mounting Plate. (Refer to Diagram B)
- 2.** Using (2) 1/2" self-taping wood screws (supplied with the Speaker Wire Terminal Board) and a screw driver, secure the Speaker Wire Terminal Board to the Wooden Mounting Plate. (Refer to Diagram B)
Note: Do not over tighten.
- 3.** Using a screw driver, open the RED Speaker Terminal on the ButtKicker Unit and insert the wire from the RED Terminal on the Speaker Wire Terminal Board. Lock the wire connection with the screw driver. (Refer to Diagram C)
- 4.** Using a screw driver, open the BLACK Speaker Terminal on the ButtKicker Unit and insert the wire from the BLACK Terminal on the Speaker Wire Terminal Board. Lock the wire connection with the screw driver. (Refer to Diagram C)

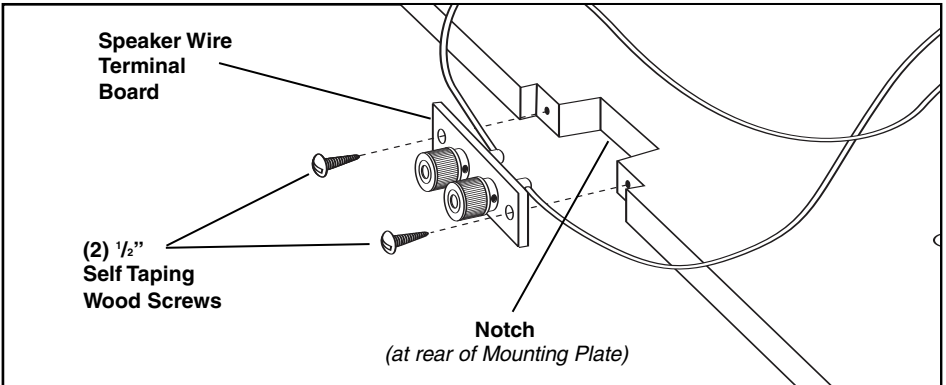


Diagram B

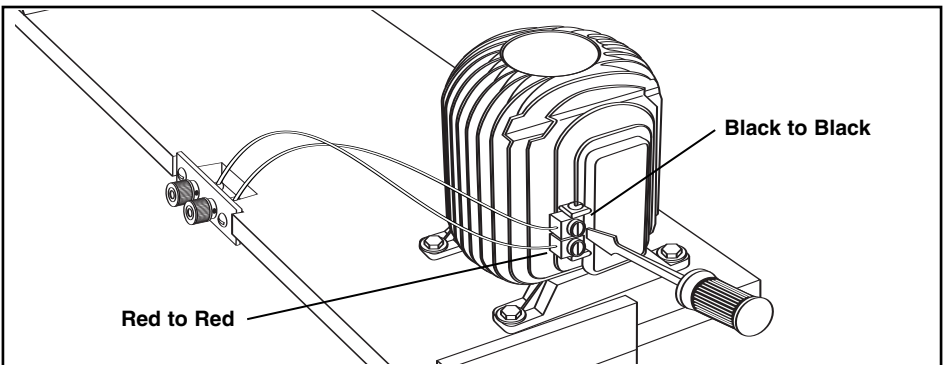


Diagram C

Transfer Power Supply to the Mounting Plate - If Power Recline

1. Remove and save (2) hex bolts holding the Power Supply to the chair frame. (Refer to Diagram D)
 2. Using the same (2) bolts add washers and reattach the power supply to the pre-drilled holes on the opposite side of the Wooden Mounting Plate. (Refer to Diagram E)
- Note:** Power Supply will have to be turned 180°. Tighten bolts snugly.

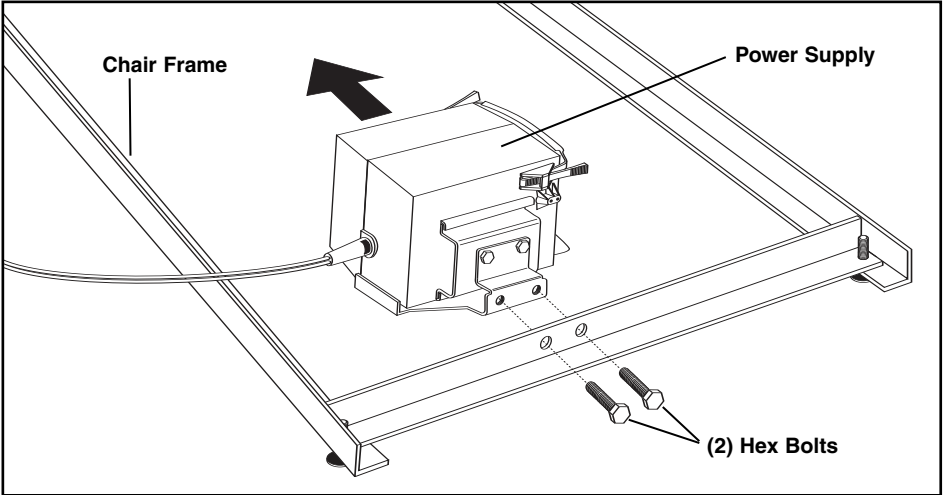


Diagram D

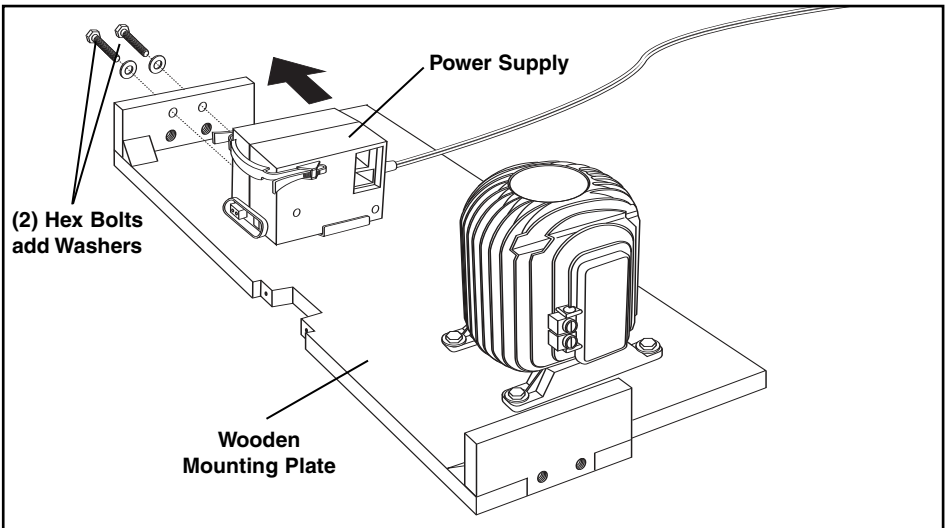


Diagram E

Replace Frame Cross Member - Only if Manual Recline Chair

1. Work with the chair tilted to the front and resting on its footrest. Back of chair should be facing up. Lay a towel or throw rug on the floor, under the chair to protect the chair's upholstery. (Refer to Diagram F)
2. With the chair resting on its footrest, you will notice four (4) frame cross members. Locate the second highest cross member. This cross member will need to be replaced with the new, supplied cross member in your kit. Confirm the correct cross member by lining up mounting holes. The new cross member will only line up with the holes from the cross member being replaced. (Refer to Diagram G)
3. Use a small ratchet and a 5/16" socket to remove the four (4) bolts holding the cross member to the frame. (Refer to Diagram H)
4. The replacement cross member is shaped like a wide "U". When installing the cross member be sure to position it so the bend is facing up toward the bottom of the seat. (The "U" should be upside down when installed). (Refer to Diagram I)
5. Attach the new cross member with four (4) new, supplied bolts. (Refer to Diagram I)

Note: Move the back of the chair slightly to help align the mounting holes. Tighten bolts snugly.



Diagram F

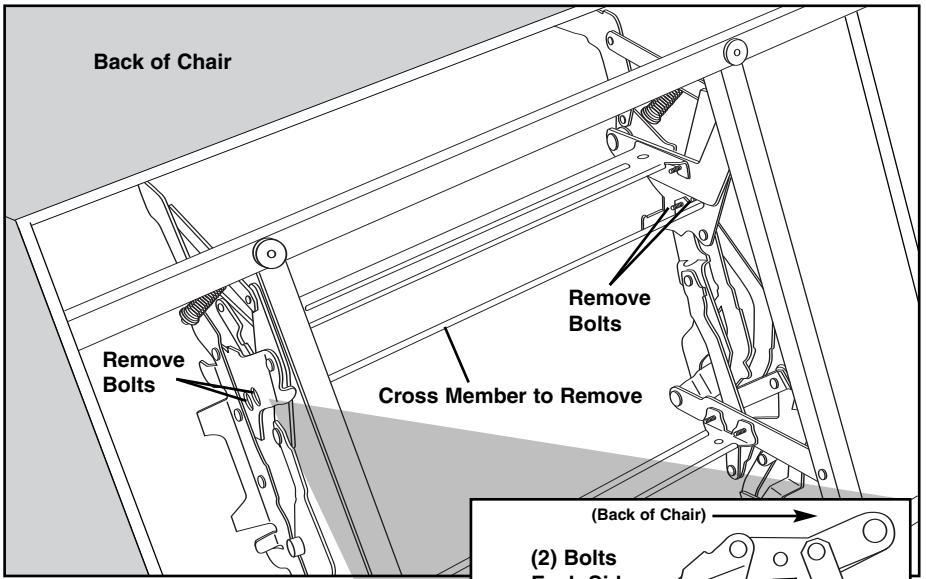


Diagram G

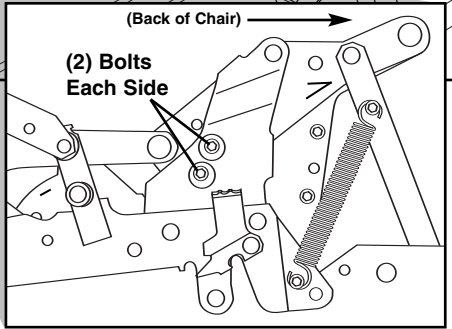


Diagram H

Note: The footrest may have to be pulled out slightly to line up these bolts to the holes in the frame.

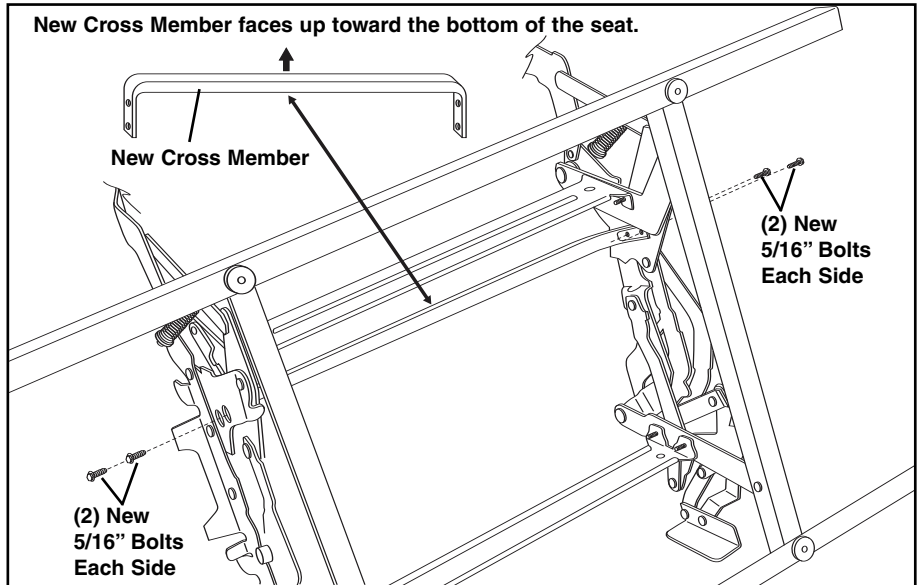


Diagram I

Attach the Wooden Mounting Plate to the Chair Frame

1. Lean the chair up to expose the bottom of the frame mechanism.
Support the chair firmly if needed.
2. Line up the (4) pre-drilled holes in the sides of the assembled Wooden Mounting Plate (2 per side) to the 4 holes in the frame sides and secure to the frame with (4) $\frac{3}{4}$ " Hex Bolts. These holes contain locking threaded tubes. *(Supplied with the Wooden Mounting Plate Kit). (Refer to Diagram J)*
Note: Align the Wooden Mounting Plate so the Speaker Wire Terminal Board faces the back of the chair.

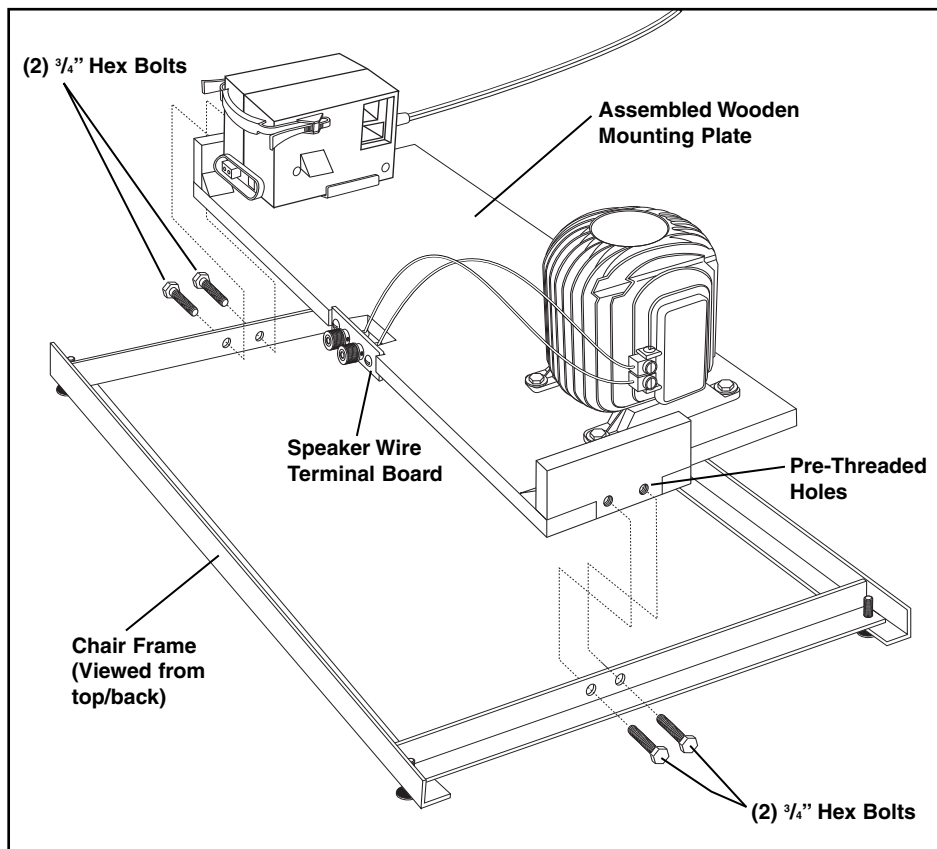


Diagram J

WARRANTY

This Guitammer Company product is warranted against defects in materials and workmanship for a period of one (1) year from the date of purchase by the original end-user. Items returned for repair under the warranty will be repaired or replaced at the sole discretion of the Guitammer Company without charge for material or labor, providing such items are returned for inspection, transportation prepaid, to the Guitammer Company or an authorized service center. All repaired or replaced items will be returned freight collect. Warranties do not apply to products that have been subject to abuse, accident, modifications, improper handling or installation, or repairs made by anyone other than the Guitammer Company or an authorized service center. The Guitammer Company shall be the final authority in the determination of all warranty service claims.

Need Help? Call Us

The Guitammer Company Inc., 1-888-676-2828, 8:30 am - 5:30 pm EST
Email us at: support@guitammer.com OR at: www.thebuttkicker.com

ButtKicker[®]

Feel what you've been missing